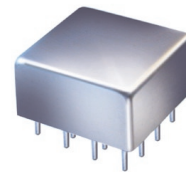


Plug-In

# Power Splitter/Combiner

PSC-4A-1W-75+

4 Way-0° 75Ω 30 to 600 MHz



CASE STYLE: C07  
PRICE: \$56.45 ea. QTY. (1-9)

+ RoHS compliant in accordance with EU Directive (2002/95/EC)

The +Suffix has been added in order to identify RoHS Compliance. See our web site for RoHS Compliance methodologies and qualifications.

## Maximum Ratings

Operating Temperature	-55°C to 100°C
Storage Temperature	-55°C to 100°C
Power Input (as a splitter)	1W max.
Internal Dissipation	0.250W max.
Permanent damage may occur if any of these limits are exceeded.	

## Pin Connections

SUM PORT	2
PORT 1	8
PORT 2	12
PORT 3	5
PORT 4	9
GROUND	1,3,4,6,7,10,11,13,14,15,16
CASE GROUND	1,3,4,6,7,10,11,13,14,15,16

## Features

- wideband, 30 to 600 MHz
- low insertion loss, 0.8 dB typ.
- rugged welded construction

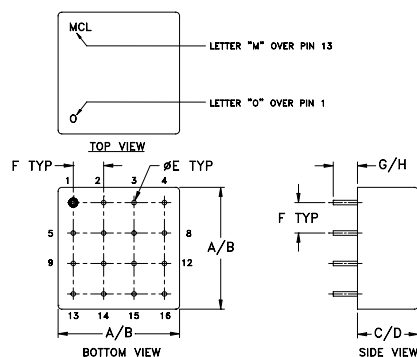
## Applications

- VHF/UHF
- instrumentation

## Electrical Specifications

FREQ. RANGE (MHz)	ISOLATION (dB)		INSERTION LOSS (dB) ABOVE 6.0 dB		PHASE UNBALANCE (Degrees)		AMPLITUDE UNBALANCE (dB)					
	L	U	L	U	L	U	L	U				
$f_L$ - $f_U$	Typ.	Min.	Typ.	Max.	Typ.	Max.	Max.	Max.				
30-600	27	20	22	18	0.6	0.8	0.8	1.1	2	5	0.2	0.5

## Outline Drawing



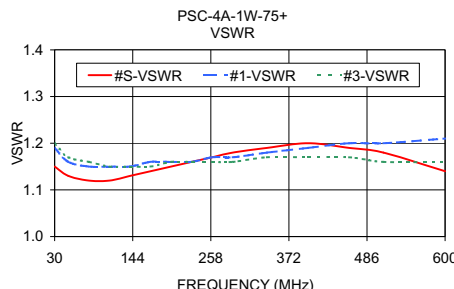
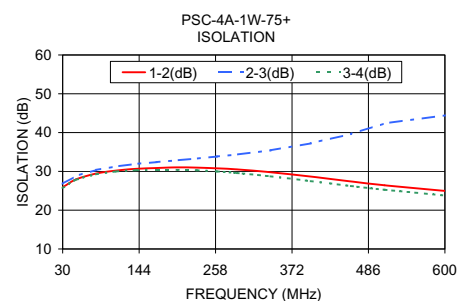
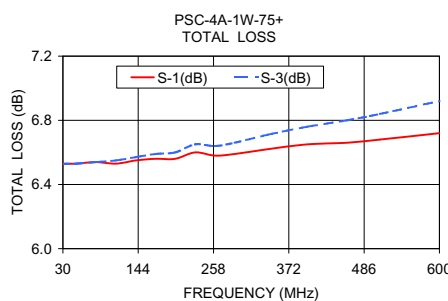
## Outline Dimensions (inch/mm)

A	B	C	D	E	F	G	H	wt
.770	.810	.380	.410	.030	.200	.20	.14	grams
19.56	20.57	9.65	10.41	0.76	5.08	5.08	3.56	11.0

## Typical Performance Data

Freq. (MHz)	Total Loss <sup>1</sup> (dB)				Amp. Unbal. (dB)	Isolation (dB)			Phase Unbal. (deg.)	VSWR S	VSWR 1	VSWR 2	VSWR 3	VSWR 4
	S-1	S-2	S-3	S-4		1-2	2-3	3-4						
30.00	6.53	6.53	6.53	6.53	0.01	25.90	26.80	25.73	0.16	1.15	1.19	1.19	1.20	1.20
50.00	6.53	6.52	6.53	6.52	0.00	27.93	28.82	27.83	0.14	1.13	1.16	1.16	1.17	1.17
80.00	6.54	6.53	6.54	6.54	0.01	29.45	30.37	29.24	0.10	1.12	1.15	1.15	1.16	1.16
110.00	6.53	6.54	6.55	6.54	0.02	30.21	31.28	29.97	0.24	1.12	1.15	1.15	1.15	1.15
140.00	6.55	6.55	6.57	6.58	0.03	30.67	31.94	30.31	0.27	1.13	1.15	1.15	1.15	1.15
170.00	6.56	6.57	6.59	6.57	0.03	30.87	32.40	30.42	0.23	1.14	1.16	1.15	1.15	1.15
200.00	6.56	6.55	6.60	6.58	0.05	31.03	32.84	30.40	0.33	1.15	1.16	1.16	1.16	1.15
230.00	6.60	6.59	6.65	6.62	0.06	30.96	33.29	30.29	0.29	1.16	1.16	1.16	1.16	1.15
260.00	6.58	6.58	6.64	6.60	0.06	30.78	33.83	29.97	0.35	1.17	1.17	1.16	1.16	1.15
290.00	6.59	6.58	6.66	6.60	0.08	30.51	34.32	29.56	0.38	1.18	1.17	1.17	1.16	1.16
340.00	6.62	6.59	6.71	6.63	0.11	29.77	35.43	28.73	0.48	1.19	1.18	1.17	1.17	1.15
400.00	6.65	6.61	6.76	6.65	0.15	28.67	37.24	27.49	0.54	1.20	1.19	1.18	1.17	1.15
460.00	6.66	6.60	6.80	6.67	0.20	27.40	39.65	26.23	0.59	1.19	1.20	1.19	1.17	1.15
510.00	6.68	6.61	6.84	6.69	0.23	26.42	42.38	25.25	0.70	1.18	1.20	1.19	1.16	1.15
600.00	6.72	6.64	6.92	6.72	0.29	24.97	44.44	23.79	1.00	1.14	1.21	1.20	1.16	1.14

1. Total Loss = Insertion Loss + 6dB splitter loss.



## electrical schematic



**Mini-Circuits®**  
ISO 9001 ISO 14001 AS 9100 CERTIFIED  
IF/RF MICROWAVE COMPONENTS

For detailed performance specs & shipping online see web site

P.O. Box 350166, Brooklyn, New York 11235-0003 (718) 934-4500 Fax (718) 332-4861 The Design Engineers Search Engine [minicircuits.com](http://www.minicircuits.com) Provides ACTUAL Data Instantly at [minicircuits.com](http://www.minicircuits.com)

Notes: 1. Performance and quality attributes and conditions not expressly stated in this specification sheet are intended to be excluded and do not form a part of this specification sheet. 2. Electrical specifications and performance data contained herein are based on Mini-Circuit's applicable established test performance criteria and measurement instructions. 3. The parts covered by this specification sheet are subject to Mini-Circuits standard limited warranty and terms and conditions (collectively, "Standard Terms"); Purchasers of this part are entitled to the rights and benefits contained therein. For a full statement of the Standard Terms and the exclusive rights and remedies thereunder, please visit Mini-Circuits' website at [www.minicircuits.com/MCLStore/terms.jsp](http://www.minicircuits.com/MCLStore/terms.jsp).

REV. C  
M127604  
PSC-4A-1W-75+  
HY/TD/CP/AM  
100617